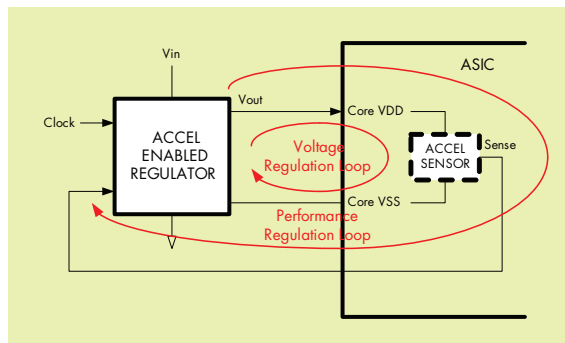




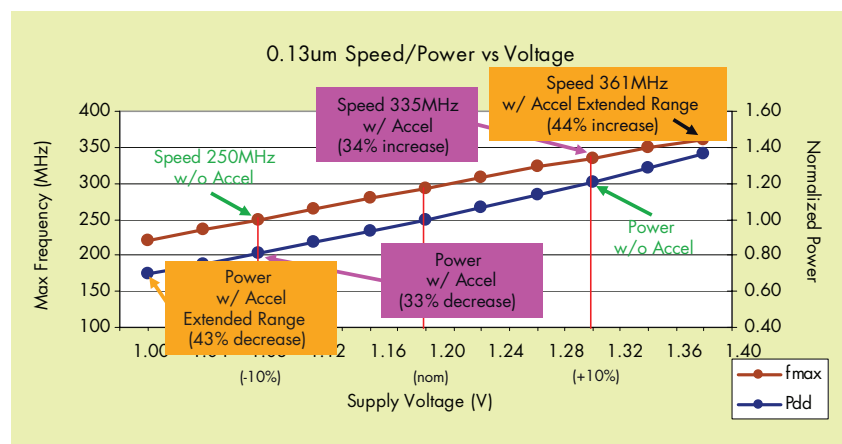
ASIC AND DESIGN SERVICES

Your Partner in Design and Manufacture

OPTIMIZE ASIC SPEED AND POWER WITH ACCEL™ TECHNOLOGY



- **Performance Regulation Transcends Voltage Regulation**
- **Achieve Higher Speed and Lower Power with Less Design Effort**
 - 35-45% performance improvement
 - Selectable mix of speed and power benefits
- **Highly Consistent Device-to-Device Timing**
 - 85% less variation due to process and temperature
- **In-System Control of Operating Point**
 - Tune ASIC performance to design target
 - Correct timing problems without redesign





ASIC AND DESIGN SERVICES

Your Partner in Design and Manufacture

As silicon feature sizes continue to shrink, requiring lower supply voltages, tolerances in conventional supply regulation techniques have made ASIC design increasingly difficult.

Standard voltage tolerances result in a large variation in performance, making it difficult to achieve speed/power goals within a competitive development cycle. iSine has recognized the need for a more effective approach to managing performance and has developed a solution based on performance regulation to address this critical need.

For more information, contact your iSine Sales Representative.



iSine, Inc.
41 Winter Street, Suite 2
Boston, MA 02108
617.695.2700
www.iSine.com

ASIC BENEFITS OF ACCEL™ TECHNOLOGY

- **Reduce Die Size**
 - 8-10% reduction for typical designs
- **Eliminate IR Drop Effects**
 - Including power distribution of die, package, and board
- **Improve Reliability**
 - Achieve speed goals with minimum power dissipation
 - Eliminate performance degradation over product lifetime
- **Improve Product Yield**
 - Eliminate marginal performance problems
 - Enable safe utilization of fringe product
- **Extend Product Life**
 - Deliver next generation performance without migrating to new process technology
- **Accelerate Design Closure Schedule**
 - Design with tighter timing/power models
 - Compatible with standard design flows
- **Accelerate Prototype Debug Efforts**
 - Quickly flush out and correct timing problems
 - Evaluate in-system performance across voltage range

Accel™ Product Family Available for a Wide Range of Applications and ASIC Technologies